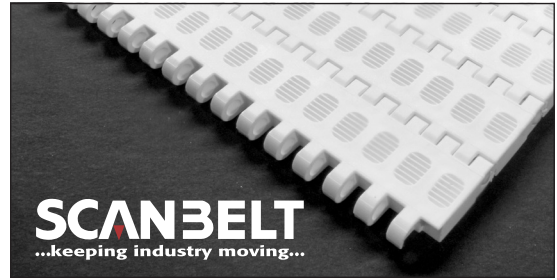
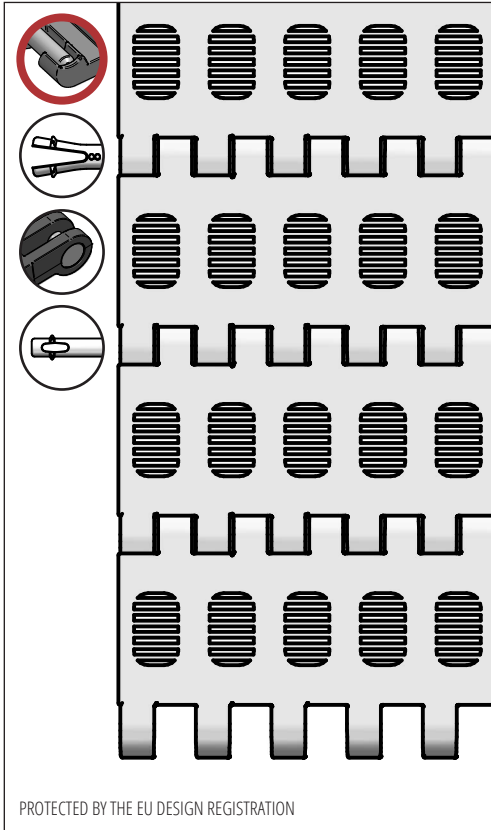


S.25-406

Ideal for bakery, vegetables, seafood, sweets and other industries that handle products requiring drainage and very small openings. FDA approved.



SCANBELT
...keeping industry moving...



PROTECTED BY THE EU DESIGN REGISTRATION

SUGGESTED INDUSTRIES



STANDARD FEATURES

Belt surface	Perforated flat top
Open area	13 %. Biggest opening 1 x 6 mm
Strength	Ideal choice for medium-duty transportation
Cleanability	Good
Standard width	Increments of 10 mm, e.g. 100, 110 mm etc.

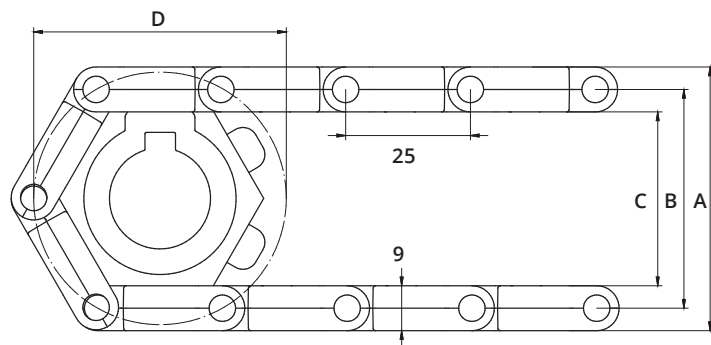
BELT DATA

Belt materials	Temperature range		Max. belt pull kg/m of width	Belt weight kg/m ²	Belt weight kg/m ² w. steel rods	Standard Colours
	Min.	Max.				
PE	- 73	66	900	6	11,5	Blue/Natural
PP	+ 5	100	1250	6	11,5	Bkue/White/Grey
POM	- 43	95	2400	8	13,5	Blue/Natural

ACCESSORIES

Type	mm
Flights	3, 25*, 50*
Scoop Flights	-
Friction Flights	25, 50
Flights fitted with a Round Top	Yes
Moulded Side Guards	10, 20
Side Guards	25, 50, 75
Friction	Yes
Hold-downs	Yes

*Modules can be supplied with a moulded indent of 40 mm.



SPROCKET DATA

A = Outside, B = Pitch, C = Inside, D = Pitch Circle Diameter

No. Teeth	A	B	C	D	Hub Width	Round Bore		Square Bore	
	mm	mm	mm	mm		mm	Inch	mm	Inch
6	54	45	36	52	20	20			
8	71	62	53	66	20	20 / 25	1	25	
12	105	96	87	99	20	20 / 25 / 30 / 40	1 / 1¼	25 / 40	1½
20	171	162	153	164	35	25 / 30 / 40	1 / 1¼	25 / 40 / 60	1½ / 2½