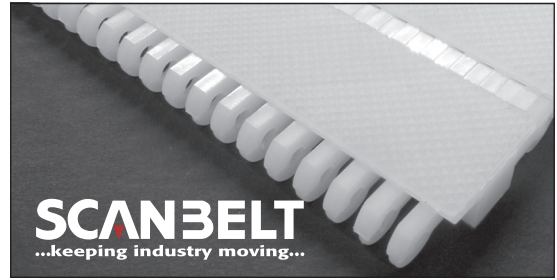


S.50-608 F/2

Ideal for transport of goods on a slightly inclined conveyor.
FDA approved.



SUGGESTED INDUSTRIES

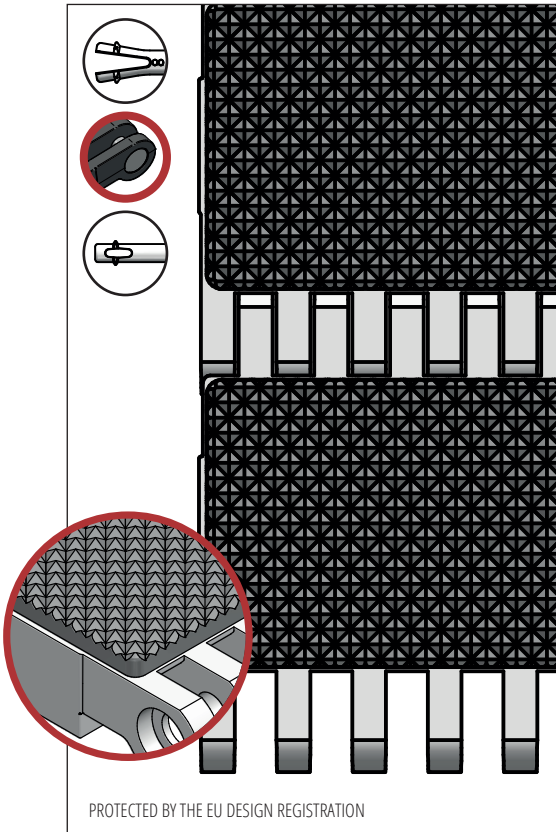


STANDARD FEATURES

Belt surface	Closed belt with Friction Top
Open area	Closed
Strength	Ideal choice for medium to heavy-duty transportation
Cleanability	Excellent. FSIS
Standard width	Increments of 10 mm, e.g. 100, 110 mm etc.
Also available as	Module with 40 mm Indent

BELT DATA

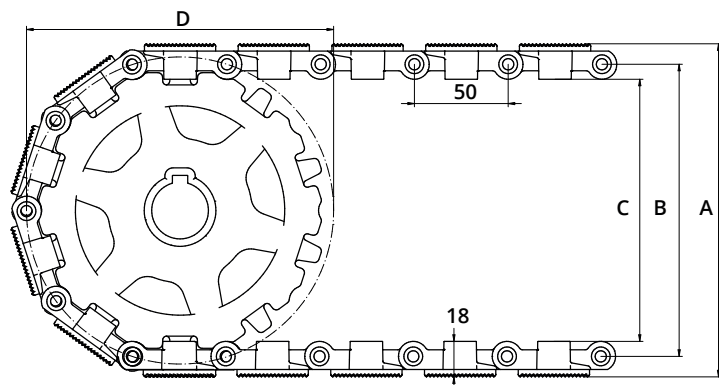
Belt materials	Temperature range		Max. belt pull kg/m of width	Belt weight kg/m ²	Belt weight kg/m ² w. steel rods	Standard Colours
	Min.	Max.				
Copolymer	-20	80	2200	9,5	13,5	Natural



ACCESSORIES

Type	mm
Flights	25*, 50*, 75*, 100*
Scoop Flights	50, 75, 100*, 150*
Bent Flights	75*, 100*
Supported Flights	75, 100, 150
Flights fitted with a Round Top	Yes
Side Guard	50, 75, 100, 150
Friction	Yes
Hold-downs	Yes

*Modules can be supplied with a moulded indent of 40 mm.



SPROCKET DATA

A = Outside, B = Pitch, C = Inside, D = Pitch Circle Diameter

No. Teeth	A	B	C	D	Hub Width	Round Bore		Square Bore	
	mm	mm	mm	mm		mm	Inch	mm	Inch
6	108	88	72	101	20	25 / 30 / 40	¾ / 1 / 1¼	25 / 40	1½
8	142	122	106	133	35	25 / 30 / 40	1 / 1¼	25 / 40	1½
10	176	156	140	164	35	25 / 30 / 40	1 / 1¼	20 / 25 / 40 / 60 / 50 / 60	1½ / 2½
12	209	189	173	195	35	25 / 30 / 40 / 50 / 60	1 / 1¼	25 / 40 / 60 / 80	1½ / 2½
16	274	254	238	258	35	60 / 80		40 / 60 / 80	