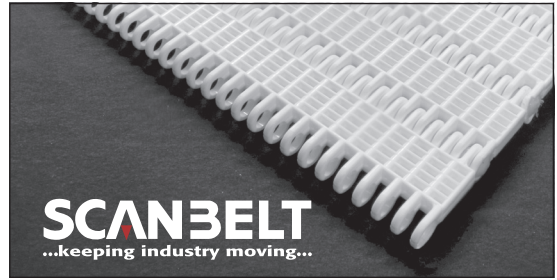
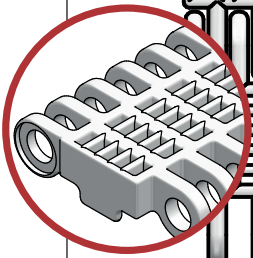
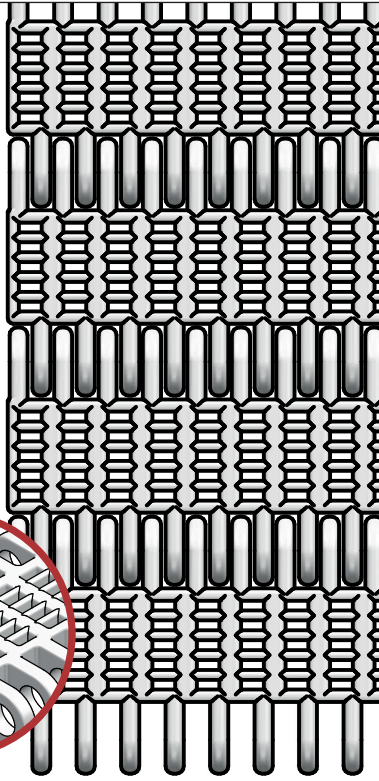


# S.25-600

Ideal choice for light transportation etc.  
Bakery goods (raw dough), poultry, sweets etc.  
FDA approved.



**SCANBELT**  
...keeping industry moving...



PROTECTED BY THE EU DESIGN REGISTRATION

## SUGGESTED INDUSTRIES



## STANDARD FEATURES

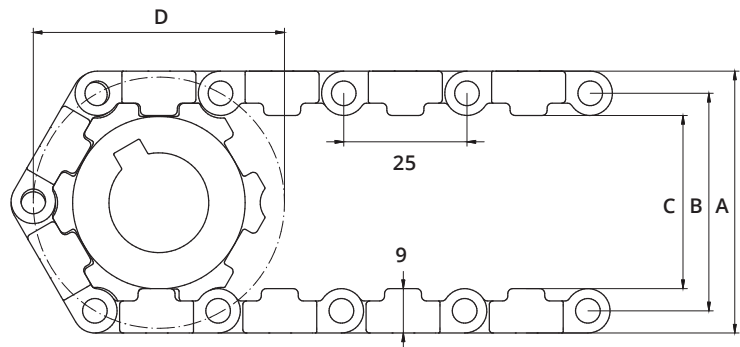
|                |   |
|----------------|---|
| Belt surface   | Perforated flat top                       |
| Open area      | 16 %. Biggest opening 1,5 x 3 mm          |
| Strength       | Ideal choice for light transportation     |
| Cleanability   | Good. FSIS                                |
| Standard width | Increments of 6 mm, e.g. 100, 106 mm etc. |

## BELT DATA

| Belt materials | Temperature range |      | Max. belt pull kg/m of width | Belt weight kg/m <sup>2</sup> | Belt weight kg/m <sup>2</sup> w. steel rods | Standard Colours |
|----------------|-------------------|------|------------------------------|-------------------------------|---|------------------|
|                | Min.              | Max. |                              |                               |   |                  |
| PE             | - 73              | 66   | 540                          | 4                             | 9,5   | Blue/Natural     |
| PP             | + 5               | 100  | 740                          | 4                             | 9,5   | Blue/White/Grey  |
| POM            | - 43              | 95   | 1250                         | 6                             | 11,5  | Blue/Natural     |

## ACCESSORIES

| Type                            | mm         |
|---------------------------------|------------|
| Flights                         | 5, 25, 50  |
| Scoop Flights                   | -          |
| Bent Flights                    | -          |
| Supported Flights               | -          |
| Flights fitted with a Round Top | Yes        |
| Side Guards                     | 25, 50, 75 |
| Friction Flights                | 25, 50     |
| Hold-downs                      | Yes        |



## SPROCKET DATA

A = Outside, B = Pitch, C = Inside, D = Pitch Circle Diameter

| No. Teeth | A   | B   | C   | D   | Hub Width | Round Bore   |      | Square Bore |      |
|-----------|-----|-----|-----|-----|-----------|--------------|------|-------------|------|
|           | mm  | mm  | mm  | mm  |           | mm           | Inch | mm          | Inch |
|           | 6   | 54  | 45  | 36  |           | 52           | 40   | 20          |      |
| 12        | 105 | 96  | 87  | 99  | 40        | 25 / 30 / 40 |      | 40 / 60     | 1½   |
| 20        | 170 | 161 | 152 | 164 | 40        | 25 / 30 / 40 |      | 40 / 60     | 1½   |