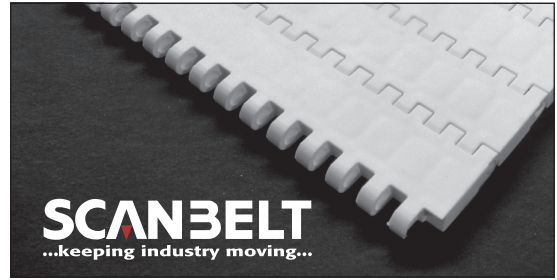
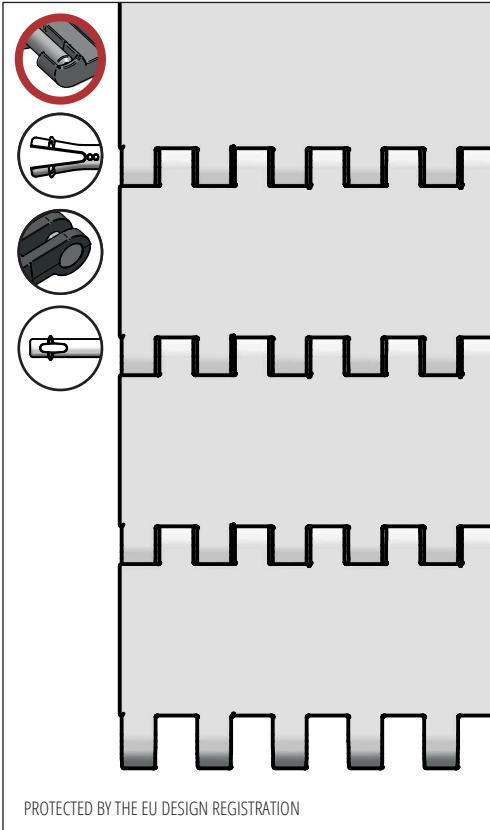


S.25-408

Ideal choice for medium-duty transportation etc. Transport of small products such as machine components. Vulcanising belt for the rubber industry. FDA approved.



SCANBELT
...keeping industry moving...



PROTECTED BY THE EU DESIGN REGISTRATION

SUGGESTED INDUSTRIES



STANDARD FEATURES

| | |
|----------------|---|
| Belt surface | Flat top |
| Open area | Closed |
| Strength | Ideal choice for medium-duty transportation |
| Cleanability | Good. FSIS |
| Standard width | Increments of 10 mm, e.g. 100, 110 mm etc. |

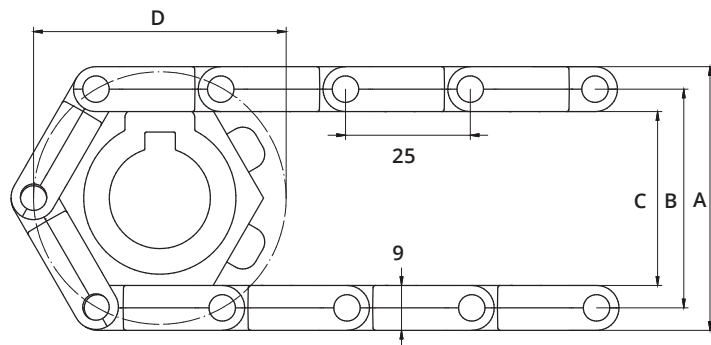
BELT DATA

| Belt materials | Temperature range | | Max. belt pull kg/m of width | Belt weight kg/m ² | Belt weight kg/m ² w. steel rods | Standard Colours |
|----------------|-------------------|------|------------------------------|-------------------------------|---|------------------|
| | Min. | Max. | | | | |
| PE | -73 | 66 | 900 | 6 | 11,5 | Blue/Natural |
| PP | +5 | 100 | 1250 | 6 | 11,5 | Blue/White/Grey |
| POM | -43 | 95 | 2400 | 8,5 | 14 | Blue/Natural |

ACCESSORIES

| Type | mm |
|---------------------------------|-------------|
| Flights | 3, 25*, 50* |
| Scoop Flights | - |
| Friction Flights | 25, 50 |
| Flights fitted with a Round Top | Yes |
| Moulded Side Guards | 10, 20 |
| Side Guards | 25, 50, 75 |
| Friction | Yes |
| Hold-downs | Yes |

*Modules can be supplied with a moulded indent of 40 mm.



SPROCKET DATA

A = Outside, B = Pitch, C = Inside, D = Pitch Circle Diameter

| No. Teeth | A | B | C | D | Hub Width | Round Bore | | Square Bore | |
|-----------|-----|-----|-----|-----|-----------|-------------------|--------|--------------|---------|
| | mm | mm | mm | mm | | mm | Inch | mm | Inch |
| | 6 | 54 | 45 | 36 | | 52 | 20 | 20 | |
| 8 | 71 | 62 | 53 | 66 | 20 | 20 / 25 | 1 | 25 | |
| 12 | 105 | 96 | 87 | 99 | 20 | 20 / 25 / 30 / 40 | 1 / 1¼ | 25 / 40 | 1½ |
| 20 | 171 | 162 | 153 | 164 | 35 | 20 / 25 / 30 / 40 | 1 / 1¼ | 25 / 40 / 60 | 1½ / 2½ |