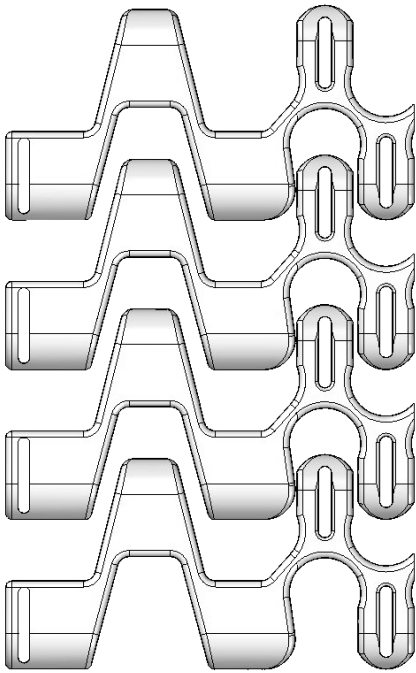


S. 100R



Belt data.			
Belt material	Rods	Max. belt pull (kg).	Belt weight (kg/m ²).
Polyacetal (POM)	PP	75	7
	Nylon	110	7
	Steel	150	12
Polypropylene (PP)	PP	60	4.5
	Nylon	90	4.5
	Steel	100	10

Belt surface: Smooth.
Open area: 52 %
Strength: The ideal choice for medium weight.
Material/colour: POM, PP
Cleanability: Good
Accessories: 25, 50 and 75 mm flights, 25 mm side guards, Friction top, hooks and steel reinforcements.
Application: Spiral coolers, radius conveyors.
Construction: Side modules, centre modules.
Width interval: Normally 20 mm. E.g: 209 mm, 229 mm etc.
Inner radius: Collapse factor from 1,5

Registered Trademark ®

Sprocket Data								
No. of teeth	A= Outside diameter	B= Pitch-diameter	C= Inside-Diameter	Hub width:	Round bore		Square bore	
					mm	in.	mm	in.
8	78	66	54	20	20/25	¾/1	25/	
12	108	96	84	20	20/25/30/40	¾/1/1¼	25/40	1½
20	173	161	149	35	25/30/40	1/1¼	25/40	1½

