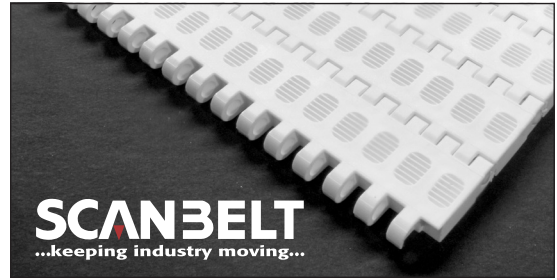


# S.25-406

Ideal for bakery, vegetables, seafood, sweets and other industries that handle products requiring drainage and very small openings. FDA approved.



**SCANBELT**  
...keeping industry moving...

## SUGGESTED INDUSTRIES

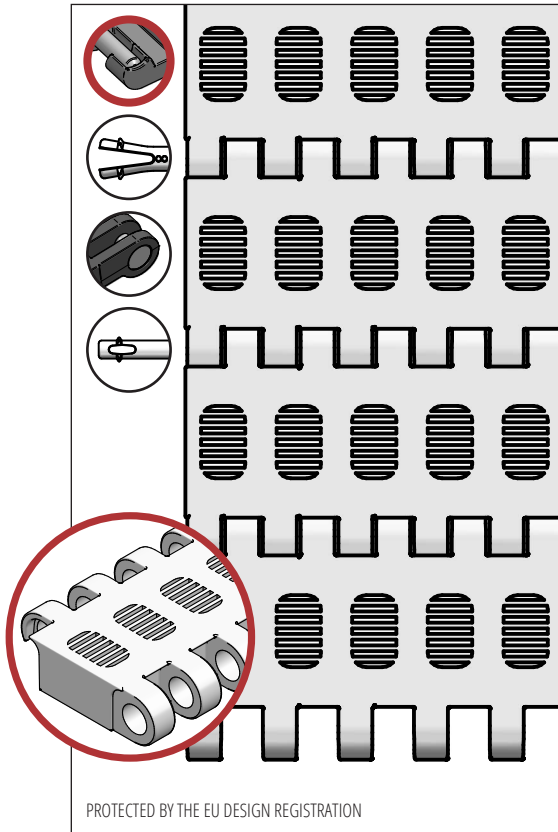


## STANDARD FEATURES

Belt surface	Perforated flat top
Open area	13 %. Biggest opening 1 x 6 mm
Strength	Ideal choice for medium-duty transportation
Cleanability	Good
Standard width	Increments of 10 mm, e.g. 100, 110 mm etc.

## BELT DATA

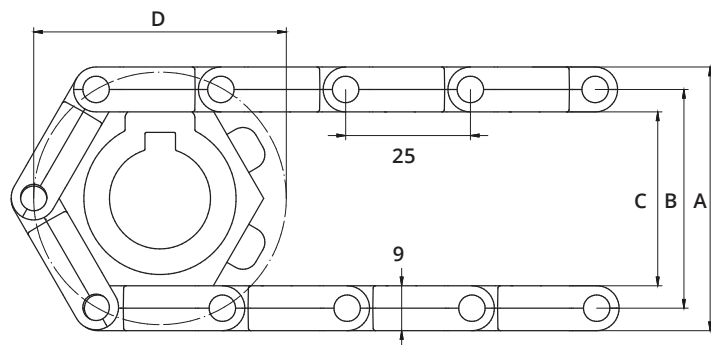
Belt materials	Temperature range		Max. belt pull kg/m of width	Belt weight kg/m <sup>2</sup>	Belt weight kg/m <sup>2</sup> w. steel rods	Standard Colours
	Min.	Max.				
PE	- 73	66	900	6	11,5	Blue/Natural
PP	+ 5	100	1250	6	11,5	Bkue/White/Grey
POM	- 43	95	2400	8	13,5	Blue/Natural



## ACCESSORIES

Type	mm
Flights	3, 25*, 50*
Scoop Flights	-
Friction Flights	25, 50
Flights fitted with a Round Top	Yes
Moulded Side Guards	10, 20
Side Guards	25, 50, 75
Friction	Yes
Hold-downs	Yes

\*Modules can be supplied with a moulded indent of 40 mm.



## SPROCKET DATA

A = Outside, B = Pitch, C = Inside, D = Pitch Circle Diameter

No. Teeth	A	B	C	D	Hub Width	Round Bore		Square Bore	
	mm	mm	mm	mm		mm	Inch	mm	Inch
	6	54	45	36		52	20	20	
8	71	62	53	66	20	20 / 25	1	25	
12	105	96	87	99	20	20 / 25 / 30 / 40	1 / 1¼	25 / 40	1½
20	171	162	153	164	35	25 / 30 / 40	1 / 1¼	25 / 40 / 60	1½ / 2½