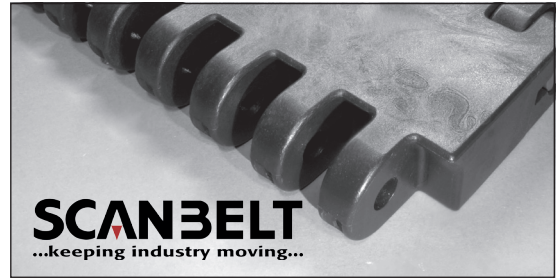
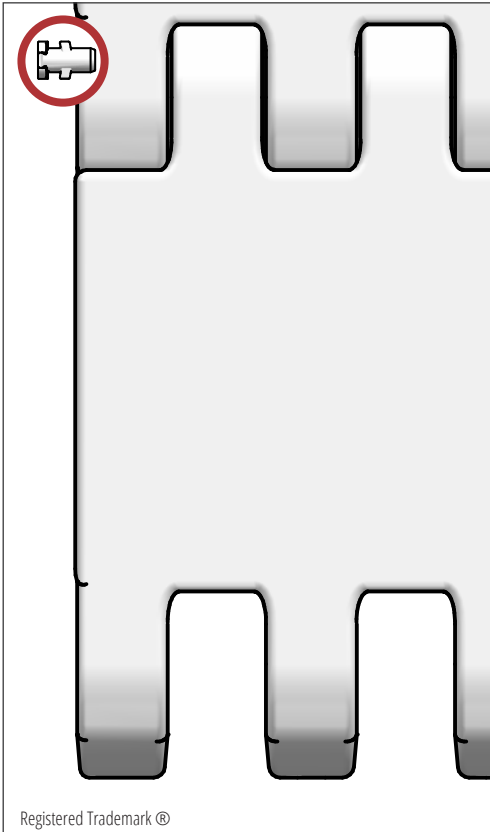


S.75-908

Very heavy transportation. Assembling belt for cars and truck loading systems. FDA approved.



SCANBELT
...keeping industry moving...



Registered Trademark ®

SUGGESTED INDUSTRIES



STANDARD FEATURES

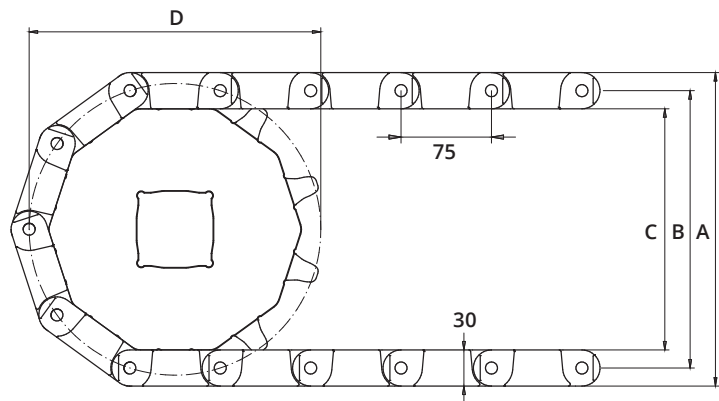
Belt surface	Closed flat top
Open area	Closed
Strength	Ideal choice for very heavy-duty transportation
Cleanability	Good
Standard width	Increments of 25 mm, e.g. 100, 125 mm etc.

BELT DATA

Belt materials	Temperature range		Max. belt pull kg/m of width	Belt weight kg/m ²	Belt weight kg/m ² w. steel rods	Standard Colours
	Min.	Max.				
PE	-	-	-	-	-	-
PP	+5	100	10.000	22	30	Black
POM	-43	95	16.000	33	41	Black/Yellow

ACCESSORIES

Type	mm
Flights	-
Scoop Flights	-
Bent Flights	-
Supported Flights	-
Comb Flights	25, 50, 60
Flights fitted with a Round Top	-
Moulded Side Guards	40
Friction Top	-
Hold-downs	-



SPROCKET DATA

A = Outside, B = Pitch, C = Inside, D = Pitch Circle Diameter

No. Teeth	A	B	C	D	Hub Width	Round Bore		Square Bore	
	mm	mm	mm	mm		mm	Inch	mm	Inch
	12	310	280	250		288	40	40 / 60	